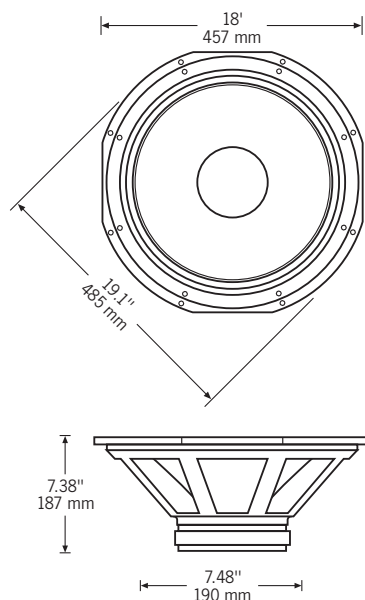


The Crescendo 18B and 15B are intended for high level, high power low frequency reproduction in ported enclosures. They feature vented die cast chassis and composite glass fibre and black anodized aluminium coil formers, yielding extremely low thermal compression. Both employ high rigidity cone membranes in order to offer freedom from breakup and associated distortion at

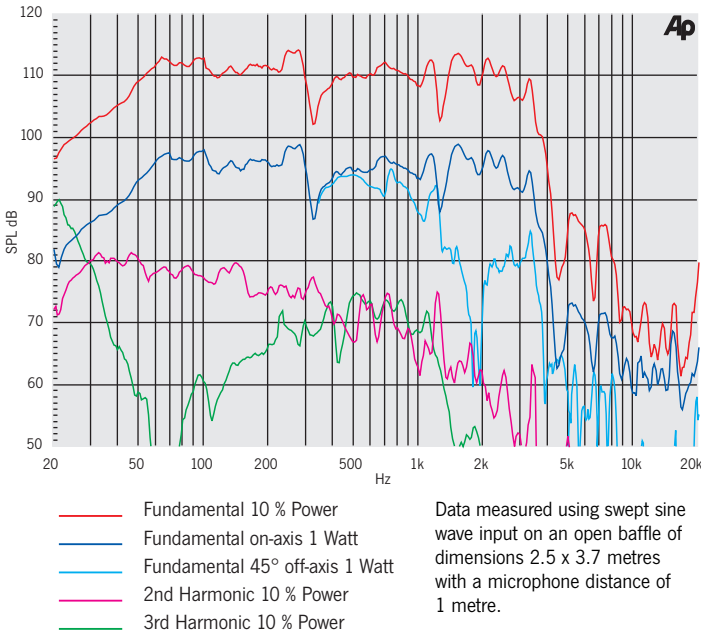
extremely high sound pressure levels. Extended levels of linear excursion are possible due to long throw motor systems coupled with large flexure suspensions. The 18B is suitable for use in 125 to 400 litre ported enclosures and features a 3 inch voice coil, 400 watt power handling and 97,5 dB sensitivity. It is capable of delivering bass down to 35 Hz (-6 dB) in a 200 litre cabinet.



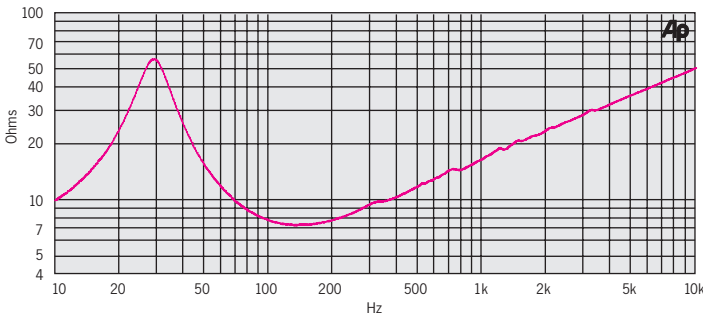
Mounting information

Overall Diameter	19.1 inch/485 mm
Width Across Flats	18 inch/457 mm
Flange Thickness	0.465 inch/11.8 mm
Baffle Hole Diameter, Front Mount	16.53 inch/420 mm
Baffle Hole Diameter, Rear Mount	16.33 inch/414 mm
Gasket Supplied	Front & Rear
Fixing Holes	8 x 7 mm \varnothing on 468 mm PCD and 438.15 mm PCD 8 x 0.275 inch \varnothing on 18.425 inch PCD and 17.25 inch PCD
Depth	7.38 inch/187 mm
Weight	21.2 lb/9.6 kg
Recommended Enclosure Volume	4.41-14.12 cu ft/125-400 litres
Volume Displaced by Driver	0.226 cu ft/6.4 litres
Shipping Weight	25.6 lb/11.6 kg
Packing Carton Dimensions	485 x 485 x 276 mm

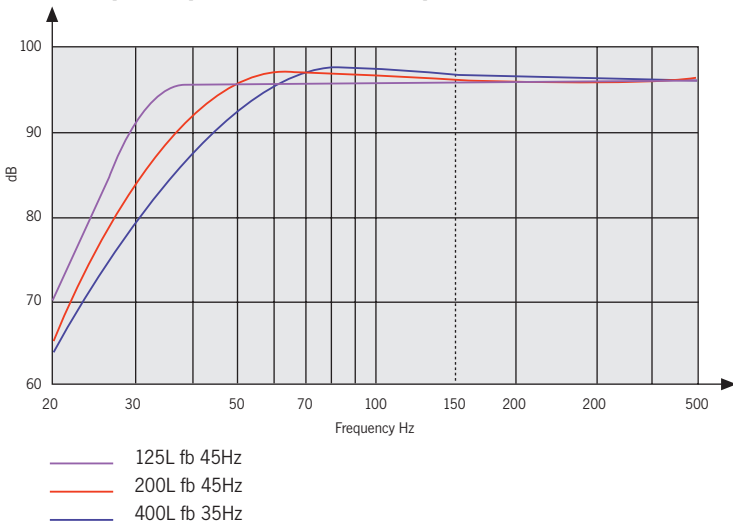
Frequency response data



Impedance



Computer predicted bass response



Electro mechanical specifications

Nominal Chassis Diameter	18 inch/457 mm
Impedance	8 Ω
Power Handling	400 (A.E.S.) ¹
Maximum Output Continuous/Peak	120/126 dB
Power Compression at Rated Power	4.5 dB
Usable Frequency Range (-6 dB)	28 Hz-1 kHz
Average Sensitivity (in above range) 1W/1m	97.5 dB
Resonance	30 Hz
Moving Mass inc. Air Load	135 grams
BL Product (Newtons/amp)	22.4
Minimum Impedance (Zmin)	7 Ω
Effective Piston Diameter	14.84 inch/377 mm
Flux Density	1.1 Tesla
Magnetic Gap Depth	0.39 inch/10 mm
Coil Winding Height	0.76 inch/19.4 mm
Voice Coil Length	82 feet/25m
Magnet Weight	93 oz/2.65 kg
Maximum Cone Displacement	0.55 inch/14 mm
Peak Displacement Volume of Cone, Vd	1.05 litres
Voice Coil Diameter	3.0 inch/77 mm

Construction materials

Coil Former	Fibreglass and Black Anodised Aluminium
Voice Coil Material	Copper
Magnet	Ferrite
Chassis	Die Cast Aluminium
Cone	Curvilinear Paper
Surround/Edge Termination	Polyvinyl Damped Double Half Roll Linen
Dust Dome	Solid Paper
Connectors	Push Button Spring Terminals
Polarity	Positive voltage at red terminal causes forward motion of cone

Thiele-Small parameters

Resonant Frequency fs	30 Hz
D.C Resistance Re	5.6 Ω
Qts	0.254
Qes	0.285
Qms	2.34
Mms (grams)	135
Cms (microns per Newton)	208
BL product	22.4 Tesla metres
Vas	363 litres
Reference Efficiency ηo	3.32 %
Piston Area Sd	0.112 m ²
Xmax	4.7 mm

¹ A.E.S. power handling test. Pink noise bandpass filtered at 12 dB per octave with cutoff frequencies of 30 Hz and 300 Hz. Driver mounted in free air, test signal applied at rated power for two hours.